

Golf Impact Screen Care & Use

- If you feel that your screen is stretched too tight or too loose, adjust the size of your frame by moving the tubes of the frame in or out of the fittings.
- Keep enough space between the screen and any walls behind it to avoid contacting them. This distance will depend on the force of your swing, but in most cases 6-12" is sufficient.
- We recommend using new golf balls that are free from any scuffs or permanent marker to maximize the life of your screen.
- Remember that impact screens are "wearable" products, and depending on the individual use, they may start showing wear immediately after first use. This is normal. All of our impact screens, however, should withstand several thousands of strikes from even the best golfers.

Safety Tips: Please make sure to take proper safety precautions and keep children, pets and spectators out of swing range. Additionally, take every precaution to protect ceilings, walls, windows, cars and neighboring homes. GSA Golf is not responsible for damage to property &/or personal injury.

We welcome your feedback!

Please feel free to contact us if you have any questions or comments about using your new products. We can be reached on our website, via e-mail, or by giving us a call. Please don't hesitate to let us know if there is anything we can do to make your purchase from GSA Golf a great value!

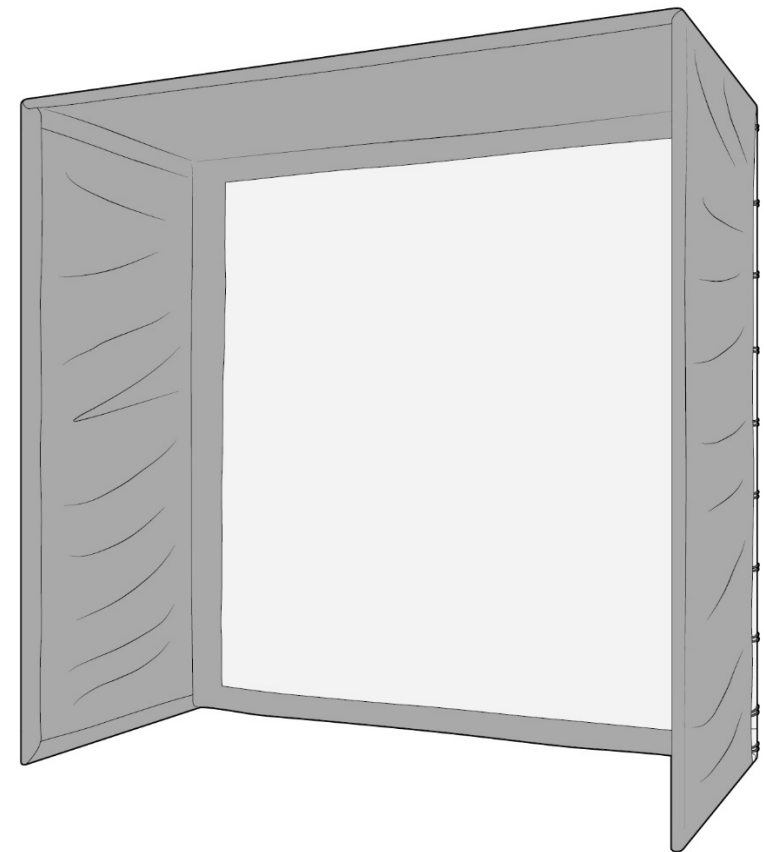
Thank you for your business!

GSA Advanced Golf Simulators LLC,
www.gsagolf.com | info@gsagolf.com | (239) 529 3060



Golf Simulator Impact Screen and Enclosure Kit

Assembly Instructions & User Manual



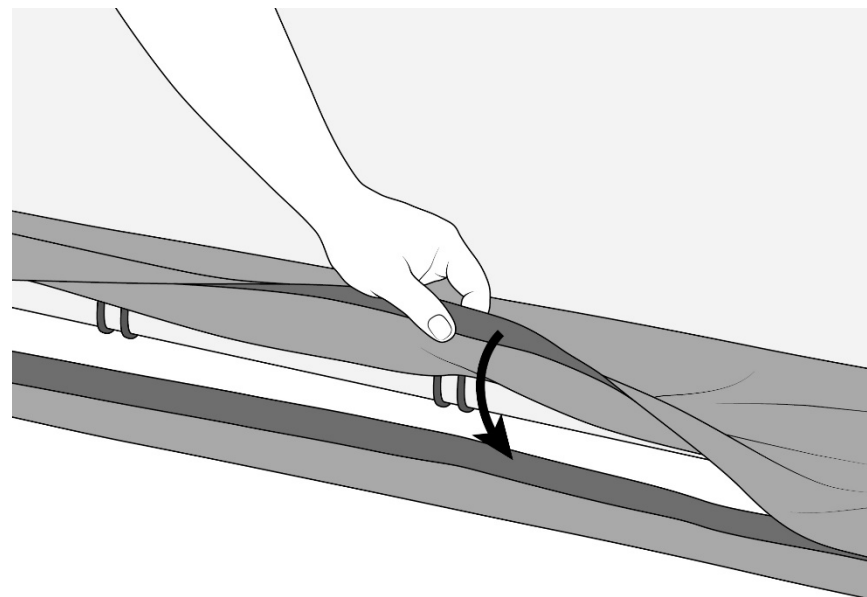
Thank you for your purchase of a golf simulator impact screen and enclosure kit from GSA Golf! In this guide you will find everything you need to complete the assembly of your kit and a few helpful tips to help you make the best use of it.

Included in this kit:

- (1) Kit of 1" EMT structural fittings
- (1) Fabric enclosure cover
- (1) Impact Screen with integrated flaps
- (1) Bundle of all required ball bungees
- (1) Weighted bag attachment

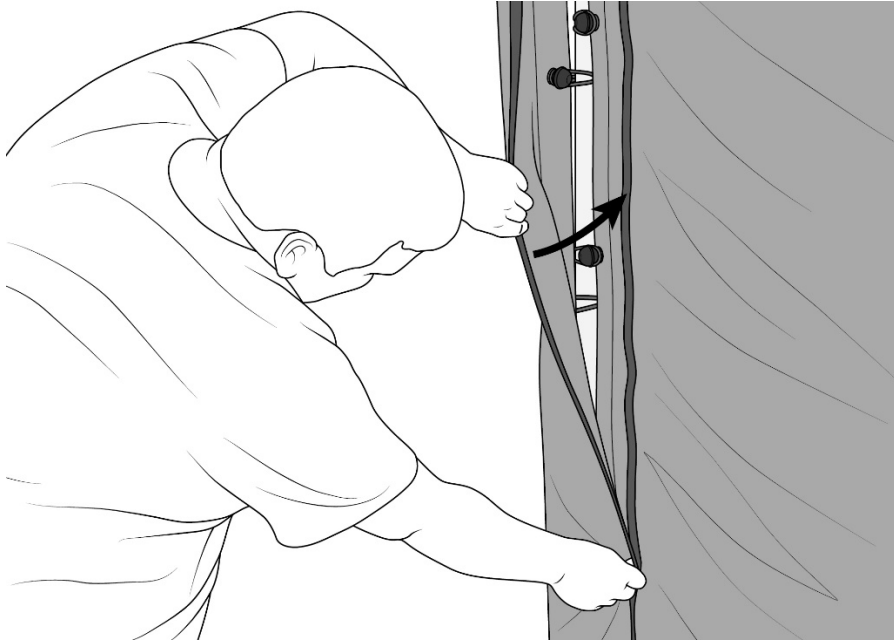
Not included in this kit:

- All required frame tubing (EMT)
- All other simulator components such as:
 - Projector
 - Hitting Mat
 - Swing Analyzer Hardware & Software



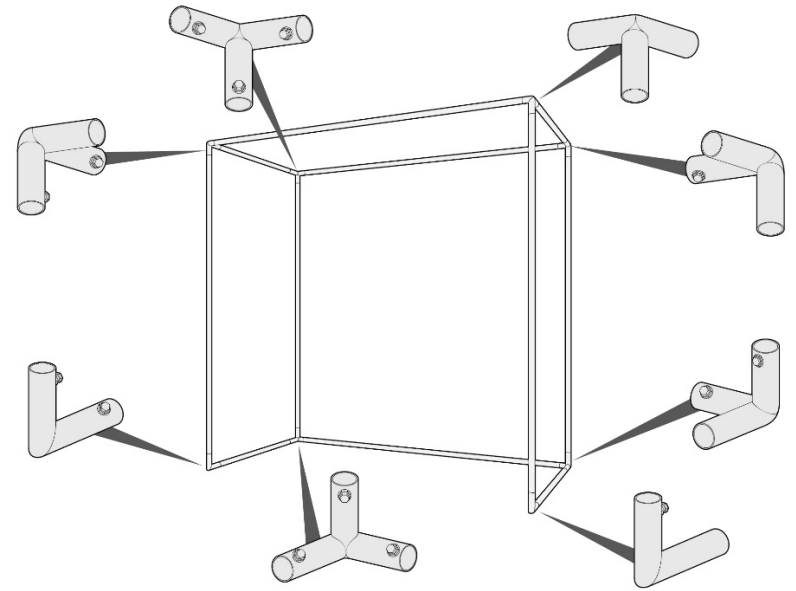
Secure Bottom Flap

The remaining bottom flap may be secured to the floor using the included weighted bag. Alternatively, the screen flap can be attached to adhesive-backed hook-and-loop secured to the floor or by attaching to any pre-existing carpeting or turf.



Attach Side and Top Screen Flaps

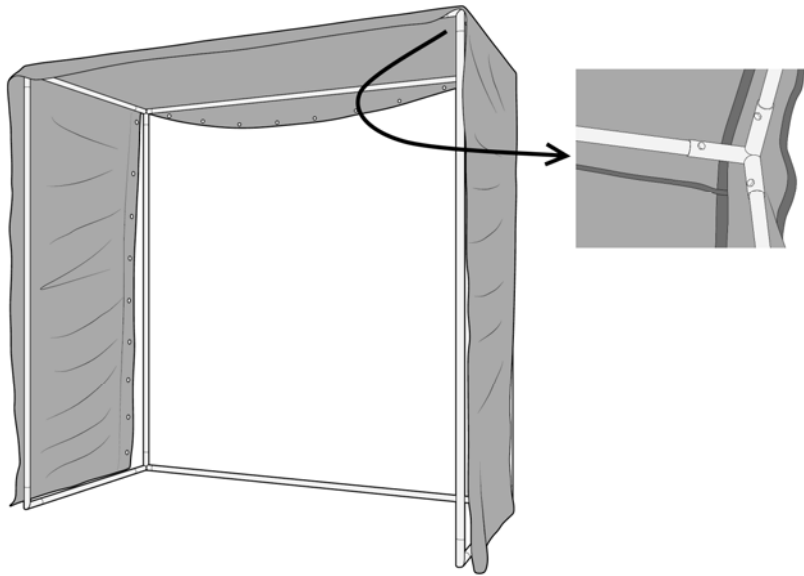
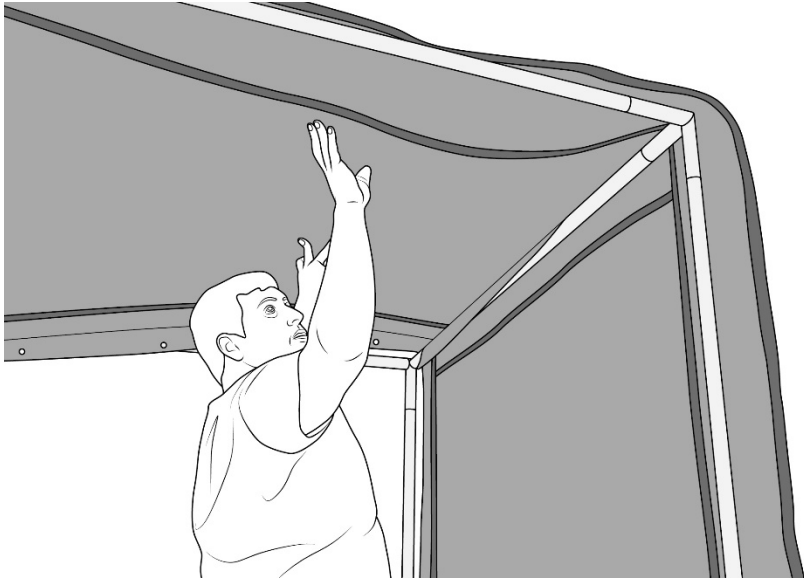
Working around the sides and top of the screen, cover the remaining visible frame pipes using the flaps attached to the screen. Fold the flaps over the grommeted edges of the screen and attach to the enclosure cover using the installed hook-and-loop strips.



Assemble Frame:

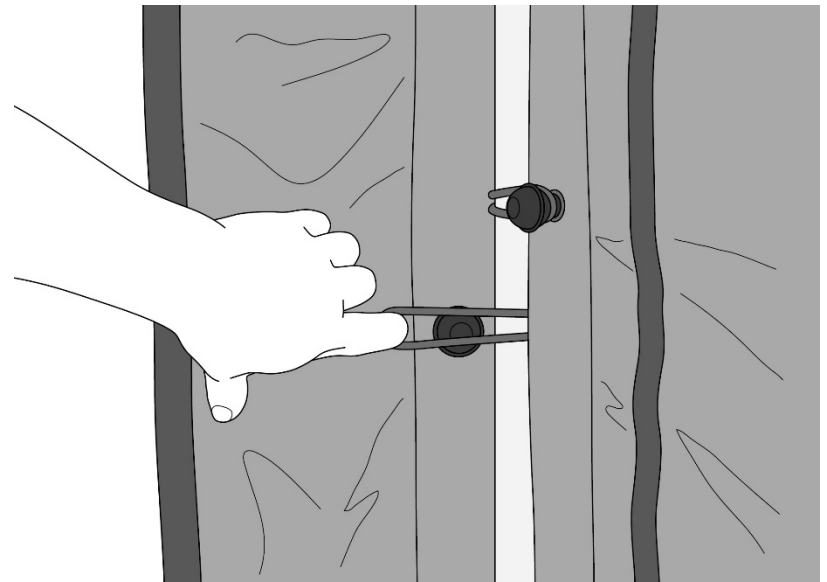
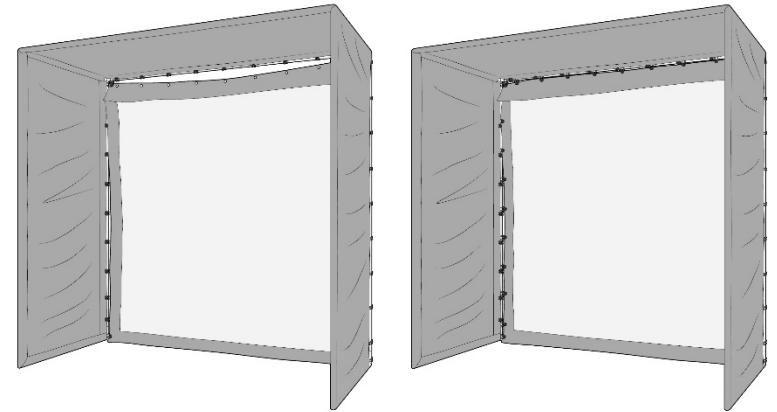
Included in this manual is an insert that shows the assembly process of the specific size you have chosen. Construct your frame to the specifications in this insert. You will need to procure and cut to length several pieces of EMT to complete this step. EMT is thin-walled, galvanized, metal electrical conduit and should not be confused with “rigid” or PVC conduit. EMT can be found at any store that sells electrical supplies.

| Retailer | Retailer SKU |
|-----------------|---------------------|
| Home Depot | 580015 |
| Lowe's | 72715 |
| Menards | 3651388 |



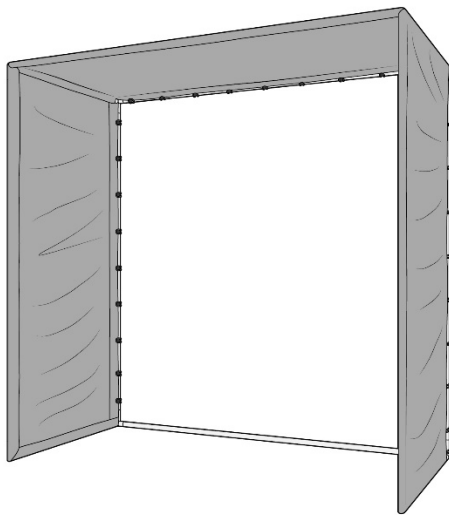
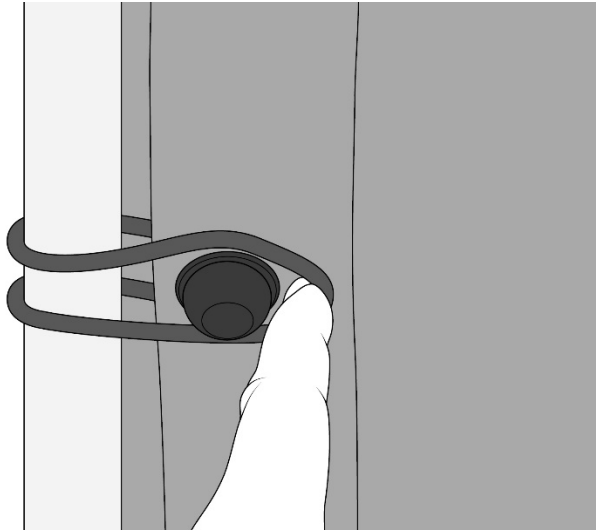
Hang Enclosure Cover:

Unfold the fabric enclosure cover, along with all its flaps, and place it over the top of the completed frame. **The cover should be oriented with the grommeted edge aligned with the back of the frame and all hook-and-loop strips facing the inside of the frame.**



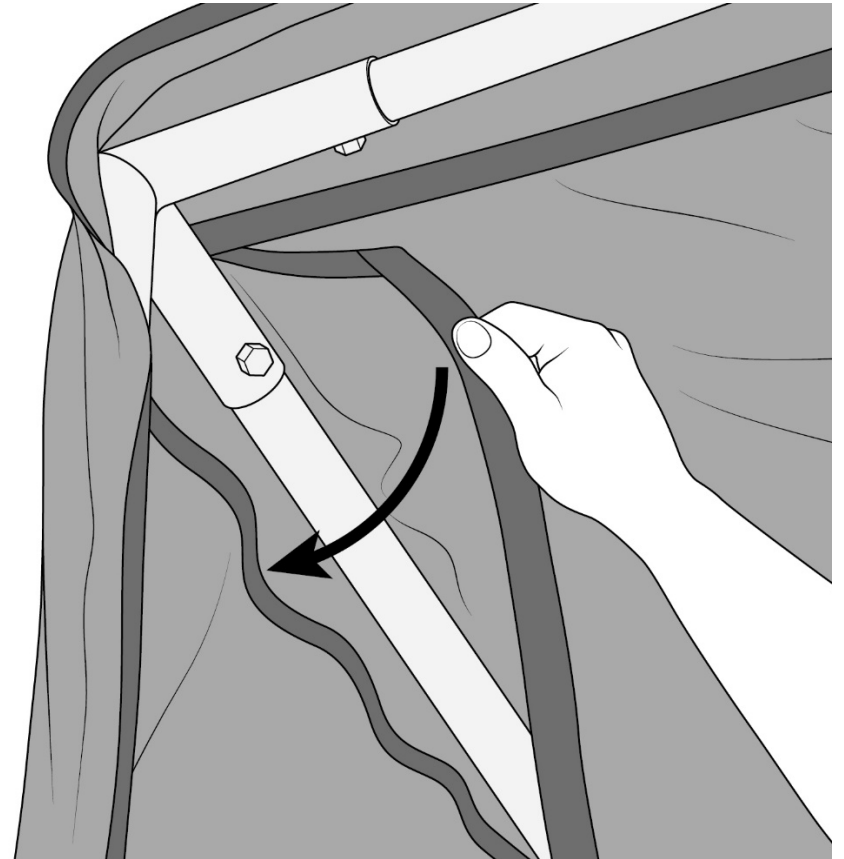
Bungee Screen to Frame

Using the same method as the previous step, attach the impact screen to the frame. **The impact screen should be mounted with the flaps facing the inside of the enclosure.** Start by attaching bungees in each of the four corners to center the screen on the frame and proceed to attach each remaining grommet to the frame.



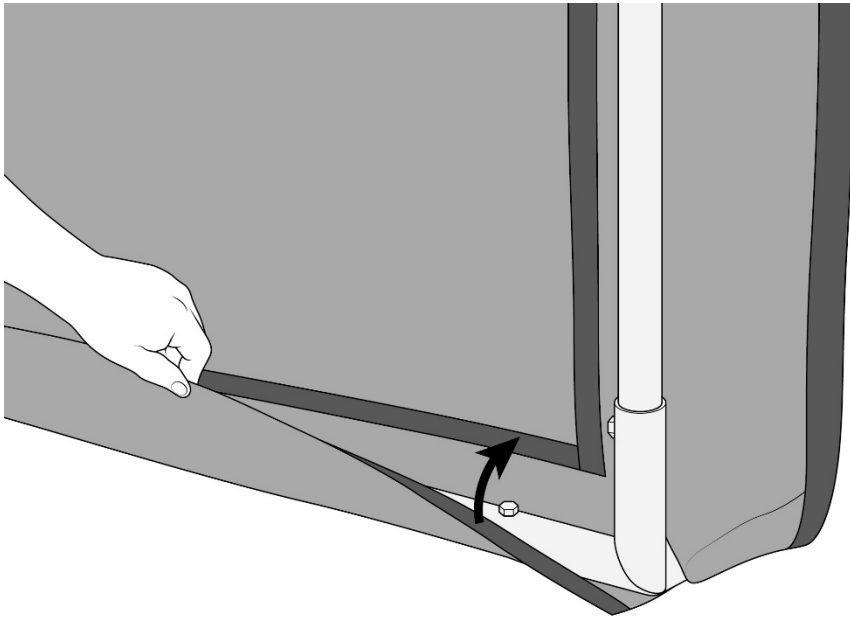
Install Bungee Cords

Attach each grommet on the enclosure cover to the frame using included ball bungee cords. Do this by inserting the loop end of the bungee into a grommet, threading it through until the ball stops it. Wrap the cord loop around the frame tubing and hook it over the ball to create a loop.



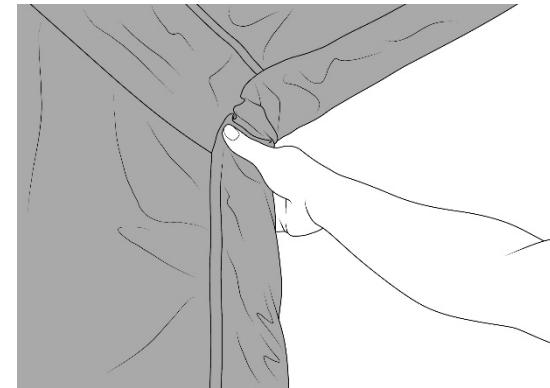
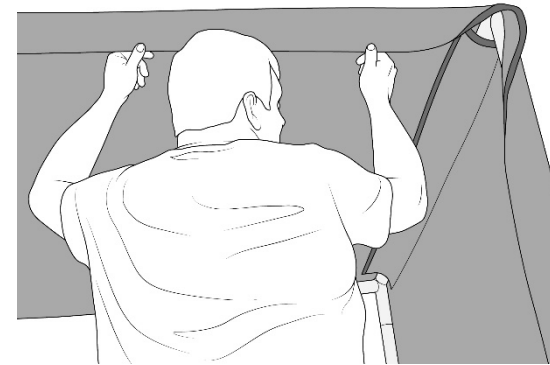
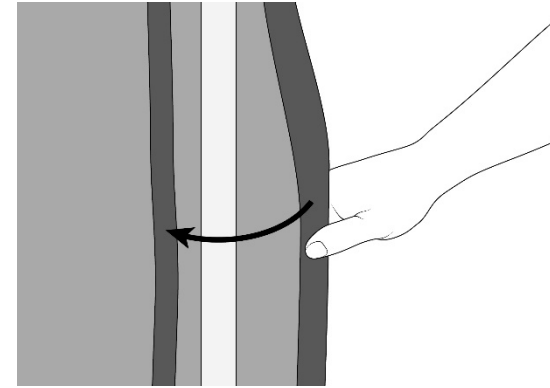
Attach Inside Corner Flaps:

There are two flaps on the upper inside corners of the enclosure cover that run the depth of the cover. Unfold these and use them to cover the two upper pipes connecting the front and back of the frame. Do this by connecting the hook-and-loop on the flaps to the hook-and-loop on the inside of the cover.



Attach Bottom Flaps:

On each side of the enclosure, wrap the cover under the bottom of the frame and align the front edge of the frame with the front edge of the bottom flaps. Wrap the flaps around the bottom pipes and attach to the side of the enclosure.



Attach Side and Top Flaps:

Repeat the process with the flaps on the sides and top of the enclosure. At the corners, excess material should be folded in on itself and attached to keep it from hanging free.